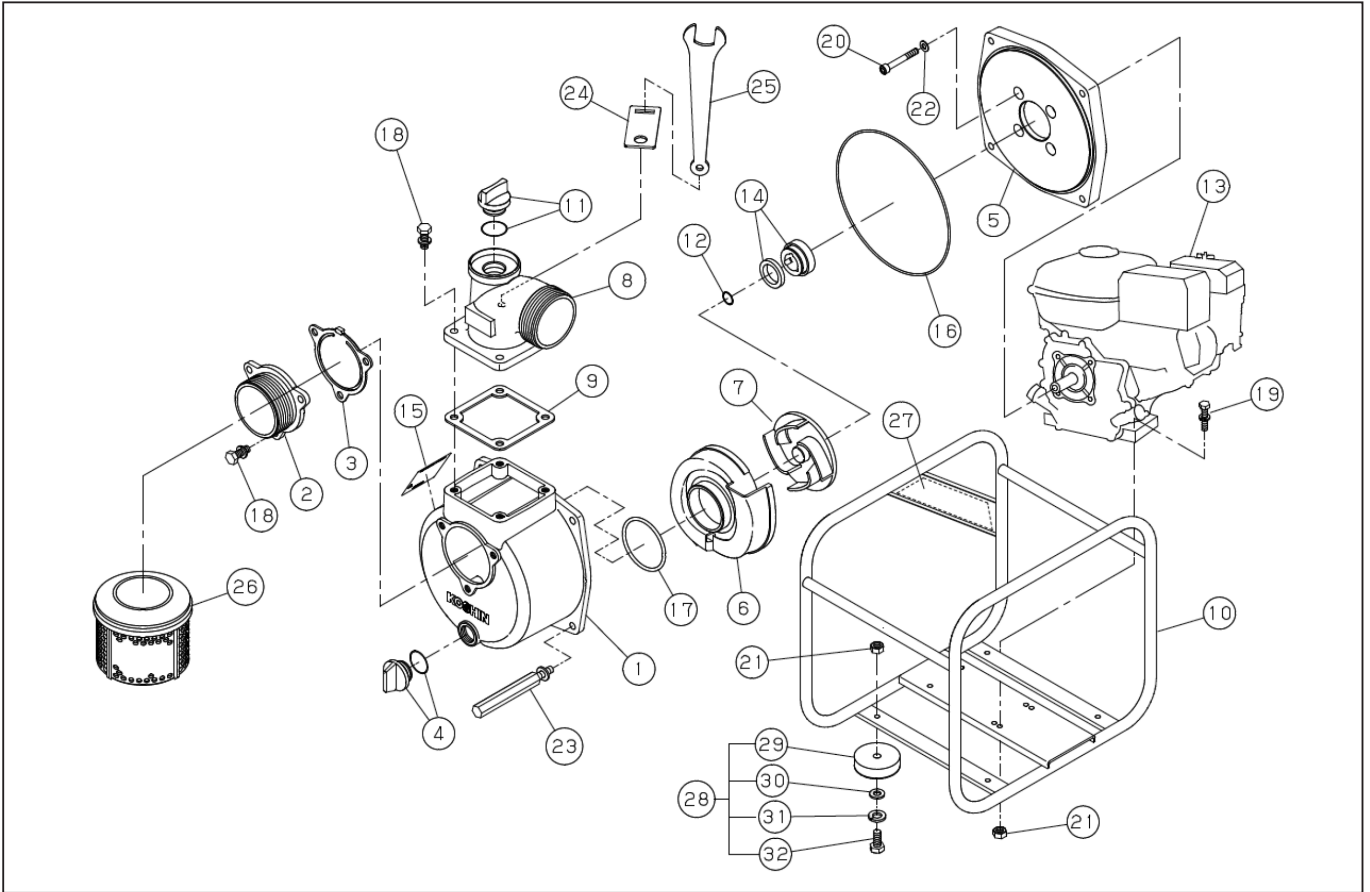


DWG No.013858101 MODELE:STV-80E FORM:STV-80E-BAC-0 (K210S)

No.	PARTS CODE	PARTS NAME	QTY	MATERIAL/SIZE	REMARKS
1	0120196	PUMP CASING	1	ADC	
2	0112876	SUCTION FLANGE	1	ADC (NPT)	
3	0112799	CHECK VALVE	1	NBR	
4	0118078	20A PLUG SET	1		
5	0120931	FLANGE BRACKET	1	ADC	
6	0115541	VOLUTE CASING	1	FCD450	
7	0115539	IMPELLER	1	FCD450	
8	0123659	DELIVERY FLANGE	1	ADC (NPT)	
9	0110584	FLANGE PACKING	1	CR	
10	0127456	BASE SET	1		
11	0118079	25A PLUG SET	1		
12	0110491	IMPELLER ADJUSTING WASHER	3	C2801P	
13	-	ENGINE	1	K210S	
14	0115159	MECHANICAL SEAL	1	φ 20	
15	0123663	NAME PLATE	1		
16	0123214	O-RING	1	NBR 1517-46.5	
17	0113989	O-RING	1	NBR P74	
18	743119061	BOLT	7	SWRM M10 × 25	
19	743119053	BOLT	4	SWRM M8 × 40	
20	734532075	SOCKET BOLT	4	SCM M8 × 55	
21	827419008	NUT	8	SWRM M8	
22	854255008	SEAL WASHER	4	φ 8	
23	0123203	LONG BOLT	4	M10 × 160	
24	0115588	SPANNER HOLDER	1		
25	0115589	SPANNER	1	17MM	
26	0117488	STRAINER SET	1	SPC	
27	0122307	SIDE PANEL LABEL	1		
28	0117345	CUSHION RUBBER SET	1		
29	0110515	CUSHION RUBBER	4	EPDM	
30	846007008	WASHER	4	φ 8	

◆ Bare engine can not be supplied



DWG No.013858101 MODELE:STV-80E FORM:STV-80E-BAC-0 (K210S)

No.	PARTS CODE	PARTS NAME	QTY	MATERIAL/SIZE	REMARKS
31	843822008	SPRING WASHER	4	φ 8	
32	735719148	BOLT	4	M8 × 20	

◆ Bare engine can not be supplied