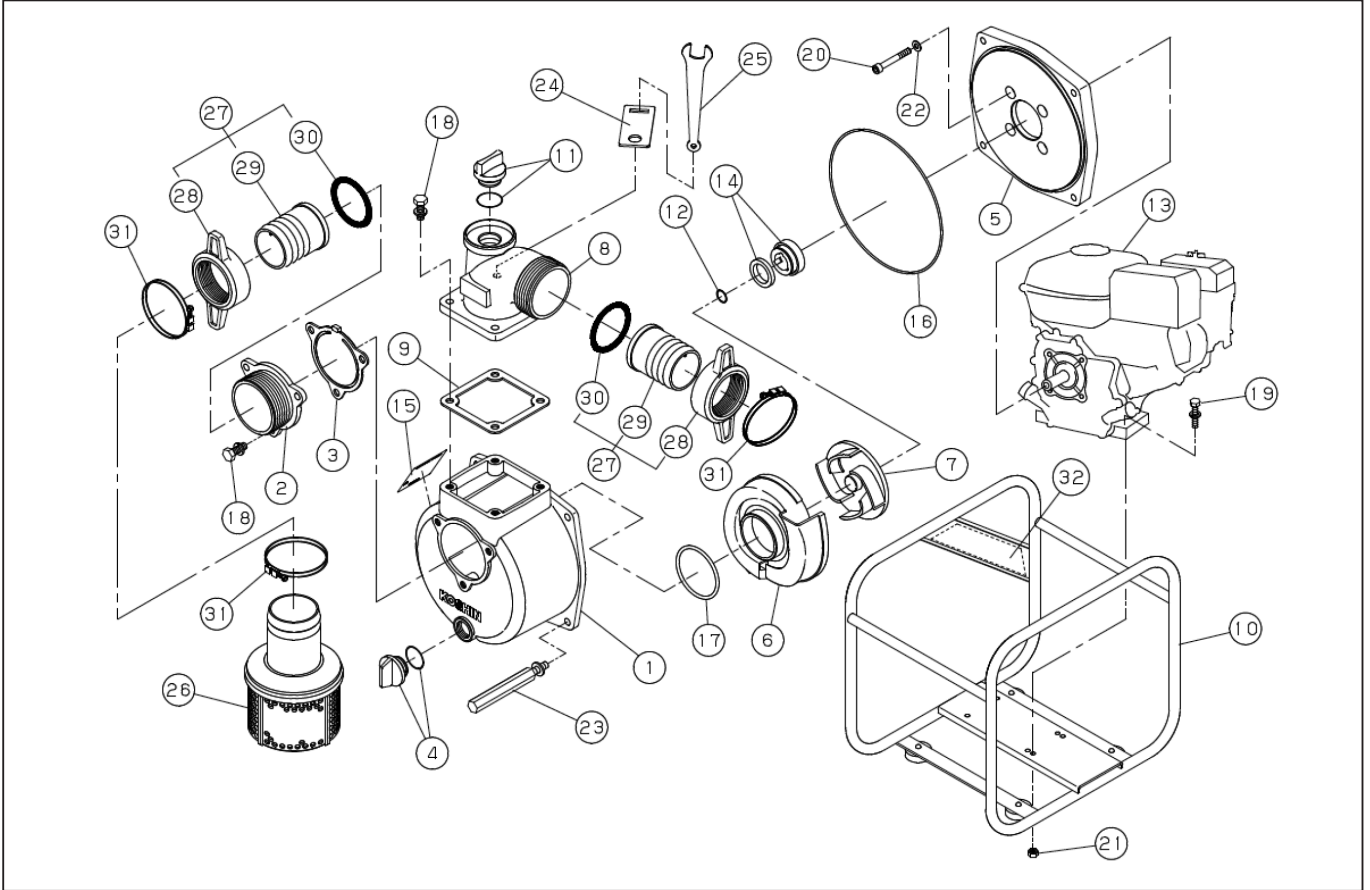


DWG No.013857701 MODELE:STV-80E FORM:STV-80E-BAB-0 (K210S)

No.	PARTS CODE	PARTS NAME	QTY	MATERIAL/SIZE	REMARKS
1	0120196	PUMP CASING	1	ADC	
2	0112797	SUCTION FLANGE	1	ADC	
3	0112799	CHECK VALVE	1	NBR	
4	0118078	20A PLUG SET	1		
5	0120931	FLANGE BRACKET	1	ADC	
6	0115541	VOLUTE CASING	1	FCD450	
7	0115539	IMPELLER	1	FCD450	
8	0123760	DELIVERY FLANGE	1	ADC	
9	0123206	FLANGE PACKING	1	CR	
10	0127451	BASE SET	1		
11	0118079	25A PLUG SET	1		
12	0110491	IMPELLER ADJUSTING WASHER	3	C2801P	
13	-	ENGINE	1	K210S	
14	0115159	MECHANICAL SEAL	1	φ 20	
15	0123653	NAME PLATE	1		
16	0123214	O-RING	1	NBR 1517-46.5	
17	0113989	O-RING	1	NBR P74	
18	743119061	BOLT	7	SWRM M10 × 25	
19	743119053	BOLT	4	SWRM M8 × 40	
20	734532075	SOCKET BOLT	4	SCM M8 × 55	
21	827419008	NUT	4	SWRM M8	
22	854255008	SEAL WASHER	4	φ 8	
23	0123203	LONG BOLT	4	M10 × 160	
24	0115588	SPANNER HOLDER	1		
25	0115589	SPANNER	1	17MM	
26	0117504	STRAINER SET	1	PP	
27	0127125	COUPLING SET	2	ABS	
28	0122500	COUPLING	2	ABS	
29	0122501	NIPPLE	2	ABS	
30	0123216	COUPLING PACKING	2	NBR	

◆ Bare engine can not be supplied



DWG No.013857701 MODELE:STV-80E FORM:STV-80E-BAB-0 (K210S)

No.	PARTS CODE	PARTS NAME	QTY	MATERIAL/SIZE	REMARKS
31	940019090	HOSE BAND	3	φ 90	
32	0122307	SIDE PANEL LABEL	1		

◆ Bare engine can not be supplied