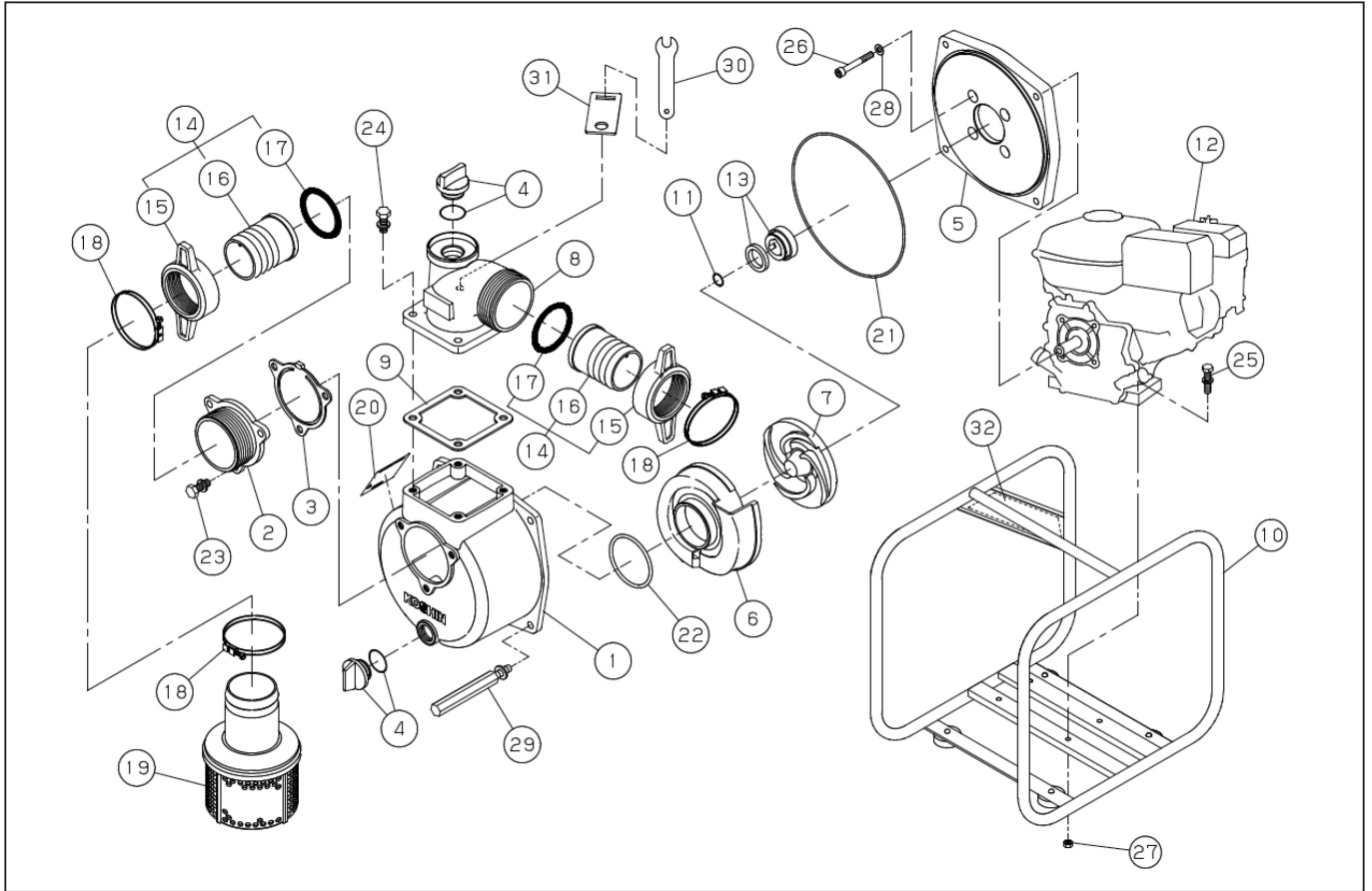


DWG No.013857601 MODELE : STV-50E FORM : STV-50E-BAB-0 (K210S)

No.	PARTS CODE	PARTS NAME	QTY	MATERIAL/SIZE	REMARKS
1	0120195	PUMP CASING	1	ADC	
2	0112662	SUCTION FLANGE	1	ADC	
3	0112665	CHECK VALVE	1	NBR	
4	0118078	20A PLUG SET	2		
5	0114027	FLANGE BRACKET	1	ADC	
6	0115169	VOLUTE CASING	1	FCD450	
7	0121342	IMPELLER	1	FCD450	
8	0110556	DELIVERY FLANGE	1	ADC	
9	0123234	FLANGE PACKING	1	NBR 70°	
10	0127463	BASE SET	1		
11	0110491	IMPELLER ADJUSTING WASHER	3	C2801P	
12	-	ENGINE	1	K210S	
13	0115159	MECHANICAL SEAL	1	φ 20	
14	0117026	COUPLING SET	2		
15	0113390	COUPLING	2	ABS	
16	0110356	NIPPLE	2	ABS	
17	0123211	COUPLING PACKING	2	NBR	
18	940019060	HOSE BAND	3	φ 60	
19	0117505	STRAINER SET	1	SPC	
20	0123652	NAME PLATE	1		
21	0123213	O-RING	1	NBR 1517-42.5	
22	0112792	O-RING	1	NBR P54	
23	743119045	BOLT	3	SWRM M8 × 20	
24	743119047	BOLT	4	SWRM M8 × 25	
25	743119053	BOLT	4	SWRM M8 × 40	
26	734532076	SOCKET BOLT	4	SCM M8 × 60	
27	827419008	NUT	4	SWRM M8	
28	854255008	SEAL WASHER	4	φ 8	
29	0123202	LONG BOLT	4	M8 × 118	
30	0115185	SPANNER	1	13MM	

◆ Bare engine can not be supplied



DWG No.013857601 MODELE : STV-50E FORM : STV-50E-BAB-0 (K210S)

No.	PARTS CODE	PARTS NAME	QTY	MATERIAL/SIZE	REMARKS
31	0115230	SPANNER HOLDER	1		
32	0122307	SIDE PANEL LABEL	1		

◆ Bare engine can not be supplied