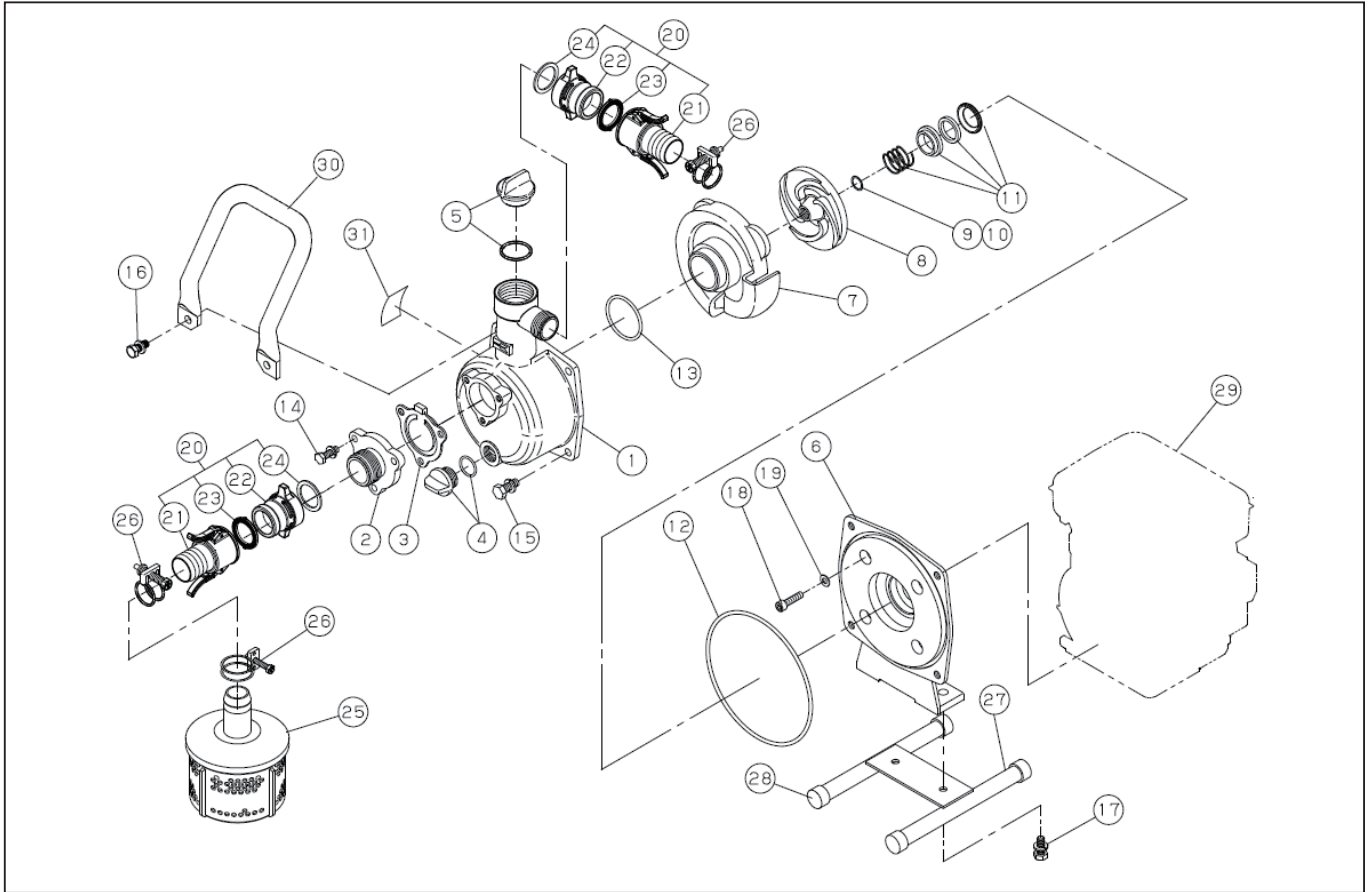


DWG No.012917416 MODELE : SEV-25L FORM : SEV-25L-BAG-3 (KC26)

No.	PARTS CODE	PARTS NAME	QTY	MATERIAL/SIZE	REMARKS
1	0113329	PUMP CASING	1	ADC	
2	0113325	SUCTION FLANGE	1	ADC	
3	0113326	CHECK VALVE	1	NBR	
4	0148010	15A PLUG SET	1		
5	0118450	32A PLUG SET	1		
6	0114992	FLANGE BRACKET	1	ADC	
7	0112528	VOLUTE CASING	1	ADC	
8	0114993	IMPELLER	1	ADC	
9	0140251	IMPELLER ADJUSTING WASHER	1	BS T=0.3	
10	0121628	IMPELLER ADJUSTING WASHER	1	BS T=0.6	
11	0121666	MECHANICAL SEAL	1	HG-12	
12	890255031	O-RING	1	1517-31 NBR	
13	889855042	O-RING	1	P42 NBR	
14	743119032	HEXAGON BOLT	3	M6 × 20 SWRM	
15	743119045	HEXAGON BOLT	2	M8 × 20 SWRM	
16	743119046	HEXAGON BOLT	2	M8 × 22 SWRM	
17	743119043	HEXAGON BOLT	2	M8 × 16 SWRM	
18	734532274	HEXAGON SOCKET BOLT	4	M5 × 40 SCM	
19	854255005	SEAL WASHER	4	φ 5	
20	0118480	COUPLING SET	2		
21	0117489	CAM LOCK NIPPLE ASSY	2		
22	0113803	CAM LOCK BODY	2	PBT 25mm	
23	0113807	CAM LOCK PACKING	2	NBR 25mm	
24	0114028	CAM LOCK BODY PACKING	2	ABS 25mm	
25	0118193	STRAINER	1	PP	
26	940019032	HOSE BAND	3	φ 32	(940019032)
27	0118267	BASE SET	1	BLACK	
28	0123210	PIPE RUBBER	4	NBR	
29	0121617	ENGINE	1	KC26-C4-P	
30	0114277	HANDLE	1	STKM	

◆ Bare engine can not be supplied



DWG No.012917416 MODELE : SEV-25L FORM : SEV-25L-BAG-3 (KC26)

No.	PARTS CODE	PARTS NAME	QTY	MATERIAL/SIZE	REMARKS
31	0121809	NAME PLATE	1	テフロフィルム	
	0121661	MANUAL	1		
	0121807	MANUAL(SPEC)	1		

◆ Bare engine can not be supplied