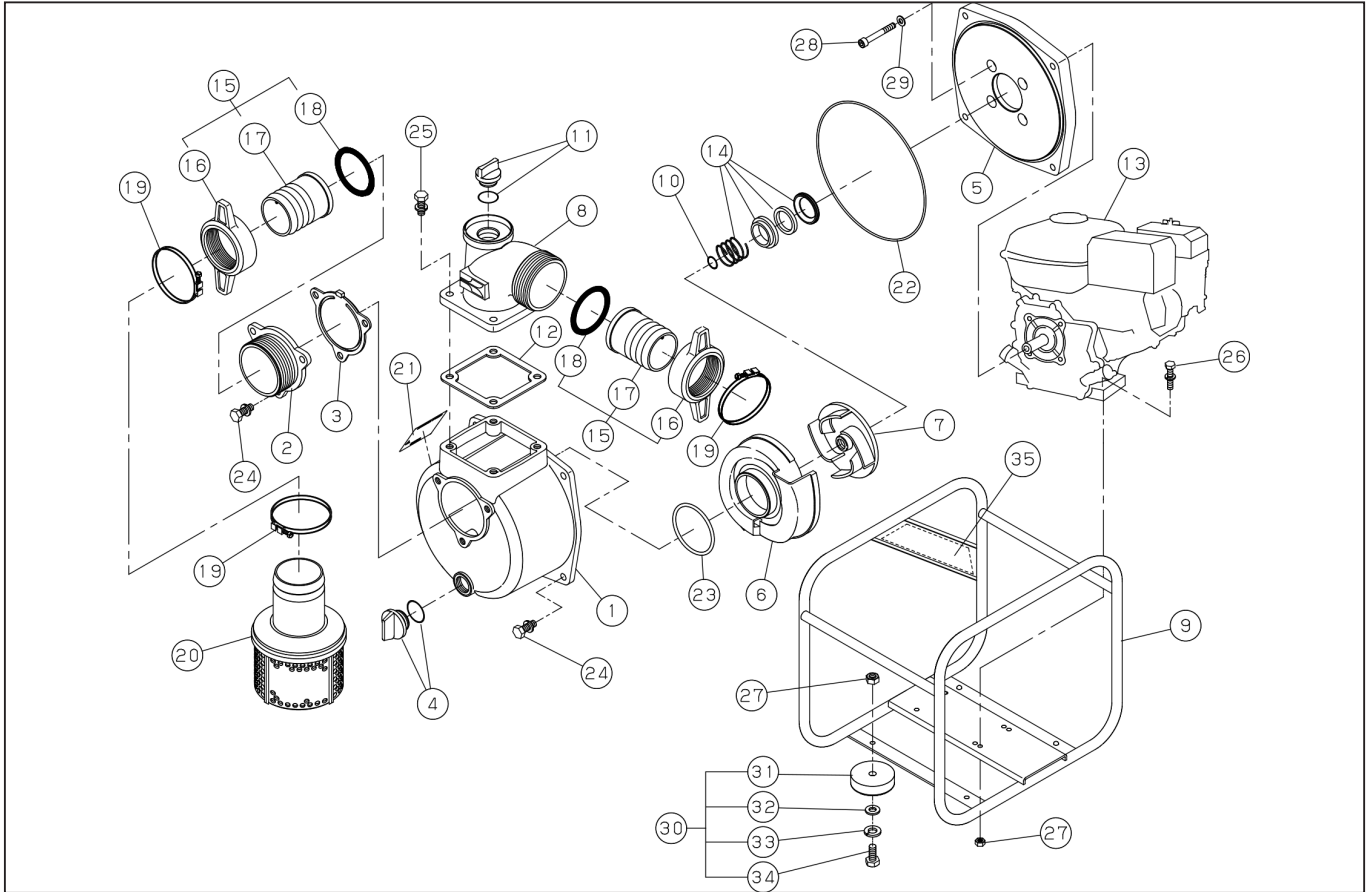


DWG No.013864301 MODEL : SEH-80X FORM : SEH-80X-BFY-0 (GX160WBT)

No.	PARTS CODE	PARTS NAME	QTY	MATERIAL/SIZE	REMARKS
1	0120196	PUMP CASING	1	ADC	
2	0112797	SUCTION FLANGE	1	ADC	
3	0112799	CHECK VALVE	1	NBR	
4	0118078	20A PLUG SET	1		
5	0115269	FLANGE BRACKET	1	ADC	
6	0121047	VOLUTE CASING	1	FC200	
7	0122321	IMPELLER	1	FC200	
8	0110570	DELIVERY FLANGE	1	ADC	
9	0117983	BASE SET	1	ORANGE	
10	0115510	IMPELLER ADJUSTING WASHER	3	BSP1 T0.3	
11	0118079	25A PLUG SET	1		
12	0123206	FLANGE PACKING	1	CR	
13	0123811	ENGINE	1	GX160WBT	
14	0114090	MECHANICAL SEAL	1	φ 2 0	
15	0127125	COUPLING SET	2	ABS	
16	0122500	COUPLING	2	ABS	
17	0122501	NIPPLE	2	ABS	
18	0123216	COUPLING PACKING	2	NBR.HS70 ± 5	
19	0121066	HOSE BAND	3	φ 90	
20	0127126	STRAINER SET	1	PP	
21	0123813	NAME PLATE	1		
22	0123214	O-RING	1	1517-46.5 NBR	
23	0113989	O-RING	1	P74 NBR	
24	743119061	BOLT	7	M10 × 25 SWRM	
25	743119063	BOLT	4	M10 × 30 SWRM	
26	743119053	BOLT	4	M8 × 40 SWRM	
27	827419008	NUT	8	M8 SWRM	
28	734532066	SOCKET BOLT	4	M8 × 25 SCM	
29	854255008	SEAL WASHER	4	φ 8	
30	0117345	CUSHION RUBBER SET	1		

◆ Bare engine can not be supplied



DWG No.013864301 MODEL : SEH-80X FORM : SEH-80X-BFY-0 (GX160WBT)

No.	PARTS CODE	PARTS NAME	QTY	MATERIAL/SIZE	REMARKS
31	0110515	CUSHION RUBBER	4	EPDM	
32	846007008	WASHER	4	φ 8	
33	843822008	SPRING WASHER	4	φ 8	
34	735719148	BOLT	4	M8 × 20	
35	0122307	SIDE PANEL LABEL	1		

◆ Bare engine can not be supplied