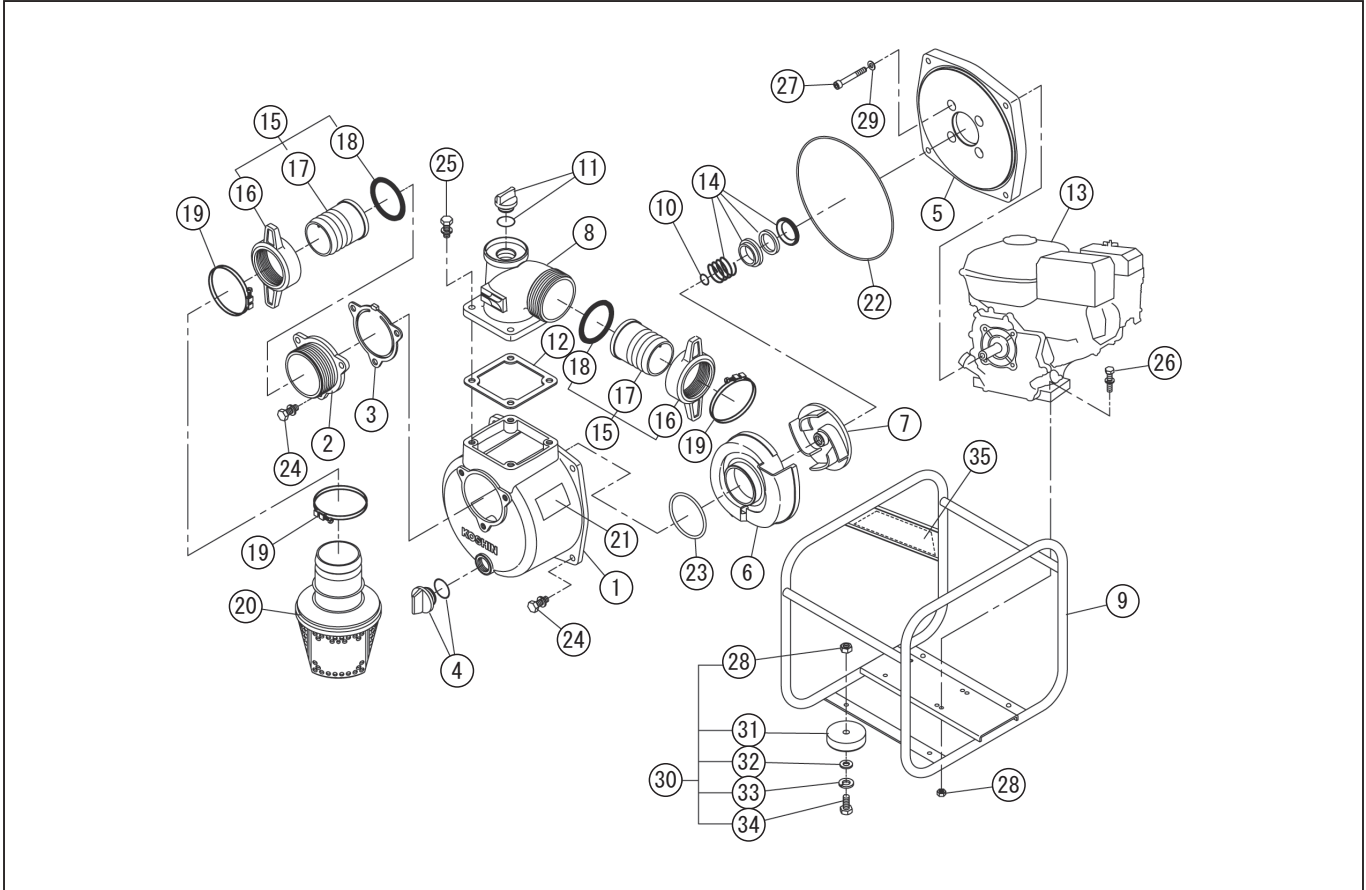


DWG No.012933507 MODEL : SEH-80X FORM : SEH-80X-BFO-1 (GX160H1)

No.	PARTS CODE	PARTS NAME	QTY	MATERIAL/SIZE	REMARKS
1	0120196	PUMP CASING	1	ADC "MADE IN JAPAN"	
2	0114213	SUCTION FLANGE	1	ADC	
3	0112799	CHECK VALVE	1	NBR	
4	0118078	20A PLUG SET	1		
5	0112796	FLANGE BRACKET	1	ADC	
6	0121047	VOLUTE CASING	1	FC200	
7	0121046	IMPELLER	1	FC200	
8	0110886	SE-80L DELIVERY FLANGE	1	ADC	
9	0117983	BASE SET	1		
10	0110491	IMPELLER ADJUSTING WASHER	3	BSP1 T0.3	
11	0118079	25A PLUG SET	1		
12	0123206	FLANGE PACKING	1	CR	
13	0122194	GX160H1-WMCK ENGINE	1		
14	0110664	SE-80L MECHANICAL SEAL	1	φ 2 0	
15	0118054	COUPLING SET	2		
16	0110888	COUPLING	2	ADC	
17	0110301	NIPPLE	2	ABS	
18	0110889	SE-80L-1 COUPLING PACKING	2	NBR	
19	940019090	HOSE BAND	3	φ 9 0	
20	0127126	STRAINER SET	1	PP	
21	0122622	NAME PALTE	1		
22	0123214	O-RING 1517-46.5	1	1517-46.5 NBR	
23	0113989	O-RING P74	1	P74 NBR	
24	743119061	BOLT	7	M10 × 25 SWRM	
25	743119063	BOLT	4	M10 × 30 SWRM	
26	743119053	BOLT	4	M8 × 40 SWRM	
27	734532076	SOCKET BOLT	4	M8 × 60 SCM CS	
28	827419008	NUT	8	M8 SWRM	
29	854255008	SEAL WASHER	4	φ 8	
30	0117345	50L CUSHION RUBBER SET	1		

◆ Bare engine can not be supplied



DWG No.012933507 MODEL : SEH-80X FORM : SEH-80X-BFO-1 (GX160H1)

No.	PARTS CODE	PARTS NAME	QTY	MATERIAL/SIZE	REMARKS
31	0110515	CUSHION RUBBER	4	F-23	
32	846007008	WASHER	4	φ 8	
33	843822008	SPRING WASHER	4	φ 8	
34	735719148	HEXAGON BOLT	4	M8 × 20	
35	012230701	SIDE PANEL LABEL	1		

◆ Bare engine can not be supplied