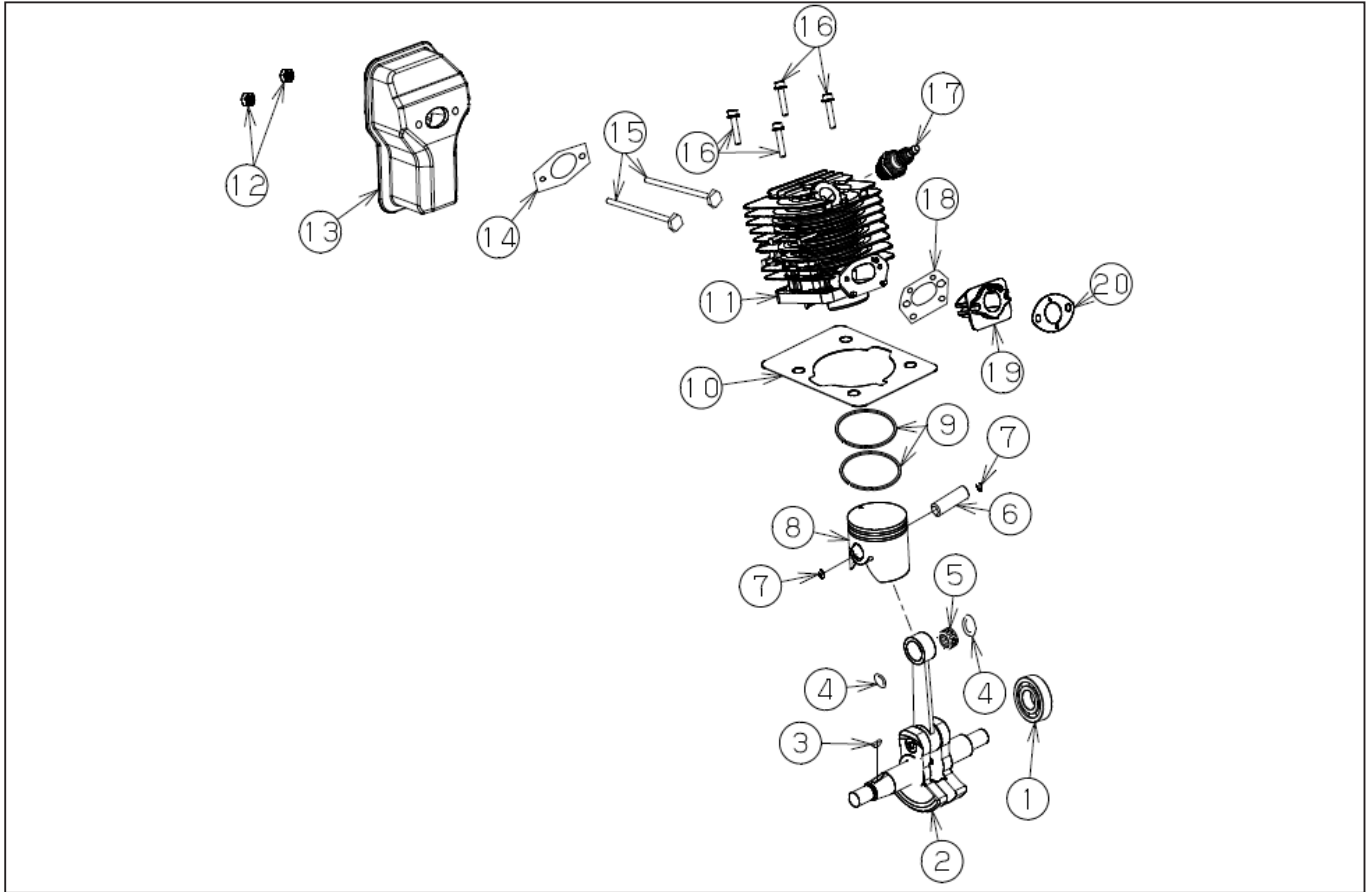


DWG No.076851401 MODEL : ECS-41 FORM : ECS-41-BAA-0

No.	PARTS CODE	PARTS NAME	QTY	MATERIAL/SIZE	REMARKS
1	100339101	TAPPING SCREW NST5*16	3	NST5 × 16	
2	100339201	RECOIL	1		
3	100339301	STARTER INNER COVER	1		
4	100339401	FLANGE NUT	1	M8	
5	100339501	FLYWHEEL	1		
6	100339601	SCREW M4*16	2	M4 × 16	
7	100339701	IGNITION COIL	1		
8	100339801	OIL SEAL	1	12*22*7	
9	100339901	CRANKCASE REAR	1		
10	100340001	BEARING	2	6201	
11	100340101	HOUSING GASKET	1		
12	076029201	LABEL	1		

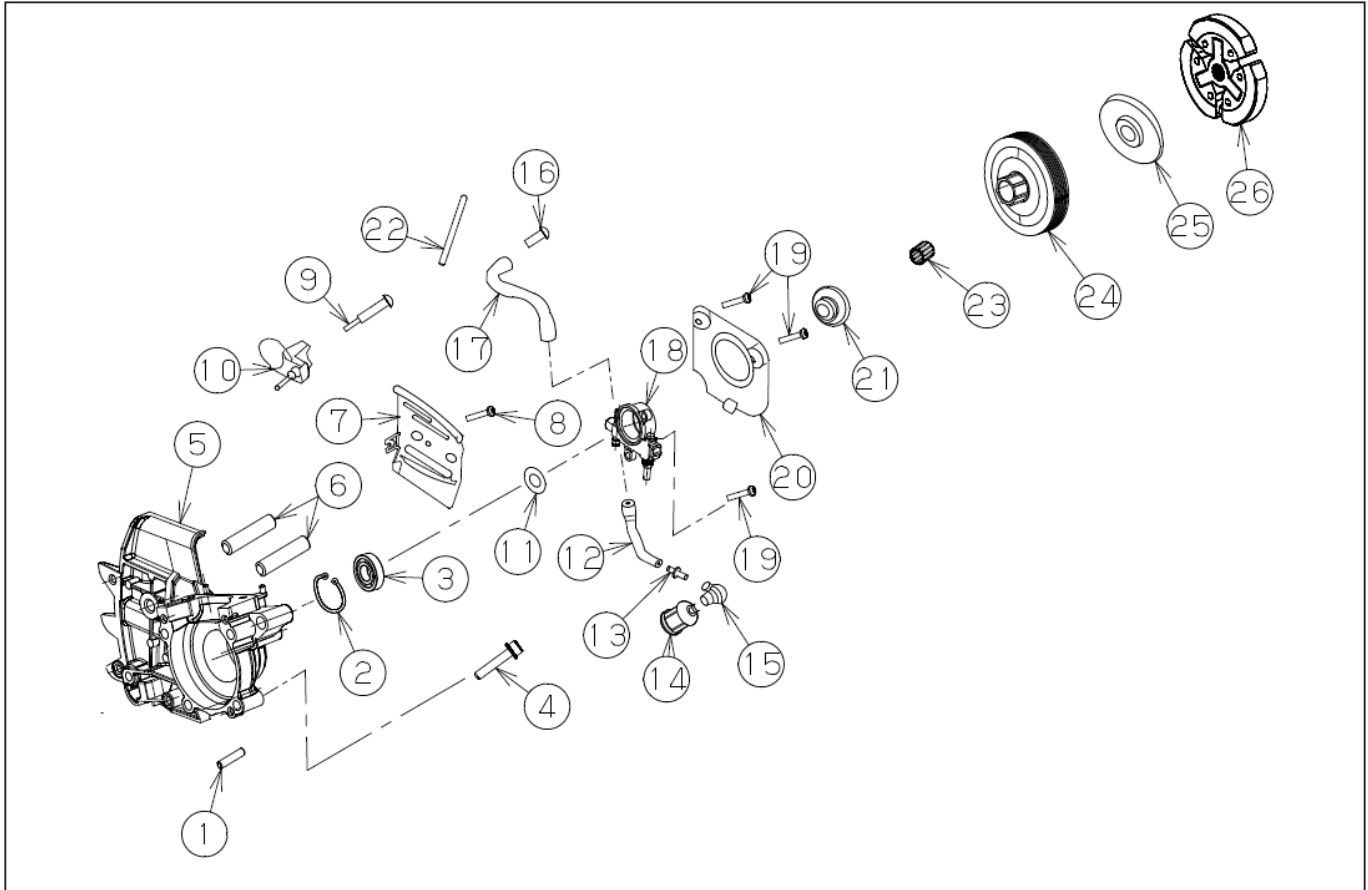
◆ Bare engine can not be supplied



DWG No.076851401 MODEL : ECS-41 FORM : ECS-41-BAA-0

No.	PARTS CODE	PARTS NAME	QTY	MATERIAL/SIZE	REMARKS
1	100340001	BEARING	2	6201	
2	100340201	CRANKSHAFT	1		
3	100340301	WOODRUFF KEY	1		
4	100340401	WASHER	2		
5	100340501	NEEDLE ROLLER BEARING	1	10*14*10.5	
6	100340601	PISTON PIN	1		
7	100340701	CLIP	2		
8	100340801	PISTON	1		
9	100340901	PISTON RING	2		
10	100341001	CYLINDER GASKET	1		
11	100341101	CYLINDER	1		
12	100341201	FLANGE LOCK NUT	2	GB6187.1M5	
13	100341301	MUFFLER	1		
14	100341401	MUFFLER GASKET	1		
15	100341501	MUFFLER FIXING BOLT M5*60	2	M5 × 60	
16	100341601	HEX SOCKET BOLT M5*20	4	M5 × 20	
17	100030101	KC26 SPARK PLUG RCJ6Y	1		
18	100341701	CARBURETOR GASKETS 2	1		
19	100341801	INSULATOR	1		
20	100341901	CARBURETOR GASKETS 1	1		

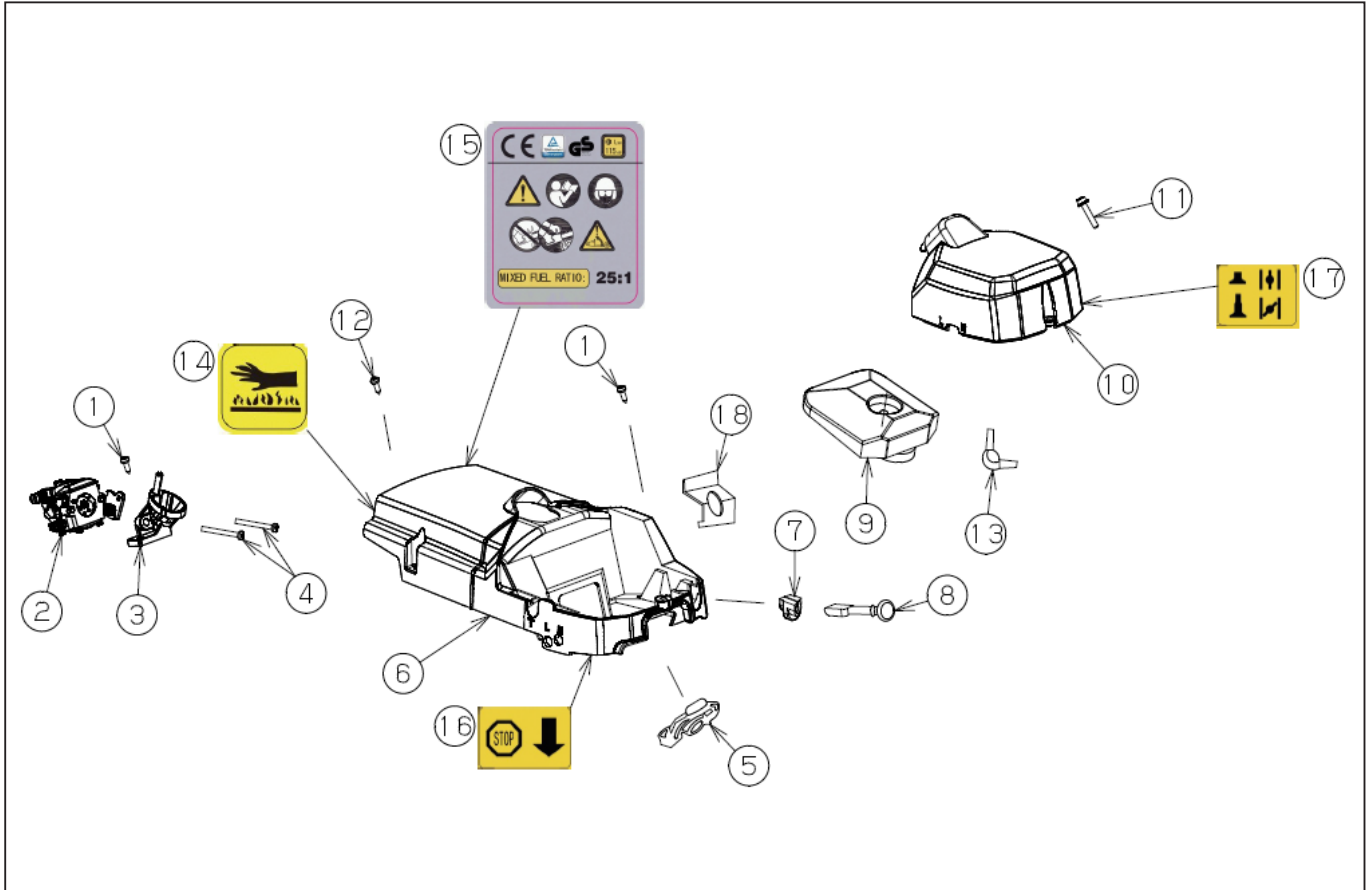
◆ Bare engine can not be supplied



DWG No.076851401 MODEL : ECS-41 FORM : ECS-41-BAA-0

No.	PARTS CODE	PARTS NAME	QTY	MATERIAL/SIZE	REMARKS
1	100342301	PIN 3*8	3	3 × 8	
2	100342401	RETAINING RING	1	φ 32	
3	100342501	OIL SEAL	1	12*32*5.5	
4	100318501	BOLT ASSY	4	M5 × 30	
5	100342601	CRANKCASE FRONT	1		
6	100342701	STUD BOLT	2	GB900 M8*25	
7	100342801	ADJUSTER GUARD	1		
8	100342901	SCREW M4*10	1	GB818 M4*10	
9	100343001	BRACKET FIXING BOLT	1		
10	100343101	CHAIN CATCHER	1		
11	100343201	WASHER	1		
12	100343301	CHAIN OIL TUBE	1		
13	100343401	CHAIN OIL TUBE CONNECTOR	1		
14	100343501	OIL FILTER	1		
15	100343601	FILTER ADAPTER	1		
16	100343701	NIPPLE	1		
17	100343801	OIL HOSE	1		
18	100343901	CHAIN OIL PUMP	1		
19	100344001	SCREW ASSEMBLY M4*12	3	M4 × 12	
20	100344101	OIL PUMP GUARD	1		
21	100344201	WORM GEAR	1		
22	100338101	PROTECTIVE TUBE	1		
23	076029901	ECS-41 NEEDLE ROLLER BEARING	1		
24	076030501	ECS-41 CLUTCH DRUM	1		
25	076030001	ECS-41 CLUTCH WASHER	1		
26	076030101	ECS-41 CLUTCH	1		

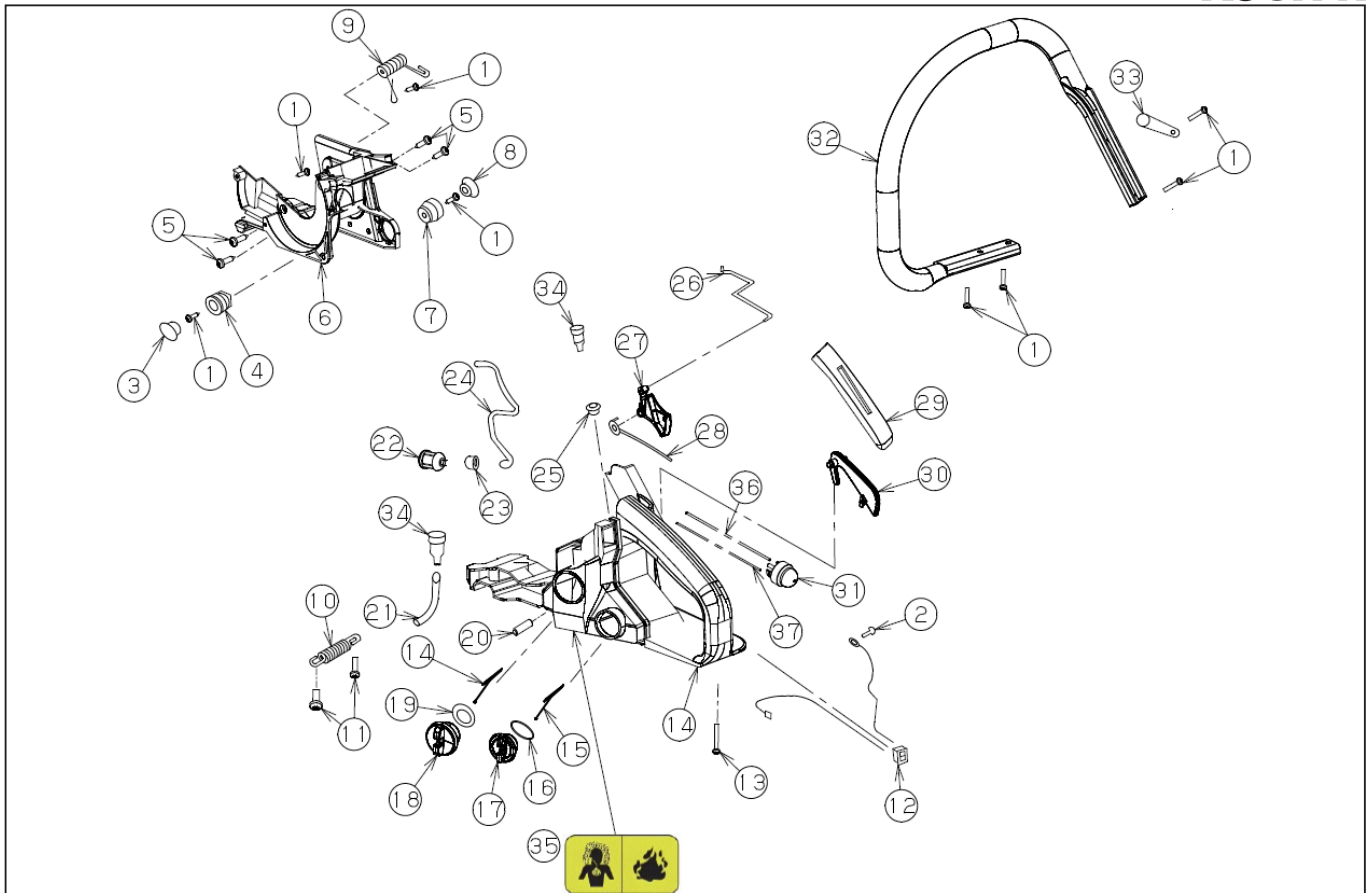
◆ Bare engine can not be supplied



DWG No.076851401 MODEL : ECS-41 FORM : ECS-41-BAA-0

No.	PARTS CODE	PARTS NAME	QTY	MATERIAL/SIZE	REMARKS
1	100339101	TAPPING SCREW NST5*16	2	NST5 × 16	
2	100342001	CARBURETOR	1		
3	100342101	CARBURETOR INTAKE PIPE	1		
4	100342201	SCREW M4*70	2	M4 × 70	
5	100347601	CARBURETOR PAD	1		
6	100347701	CYLINDER COVER	1		
7	100347801	CHOKE FIXING BUSH	1		
8	100347901	CHOKE LEVER	1		
9	100348001	CLEANER ELEMENT	1		
10	100348101	CLEANER COVER	1		
11	100348201	HEX SOCKET SEMS BOLT M5*16	1	M5 × 16	
12	100349101	TAPPING SCREW M5*20	1	M5 × 20	
13	100334901	CLEANER ELEMENT FIXING KNOB	1		
14	100349301	LABEL1	1		
15	100349501	LABEL3	1		
16	100349601	LABEL4	1		
17	100349701	LABEL5	1		
18	100352301	PLUG COVER	1		

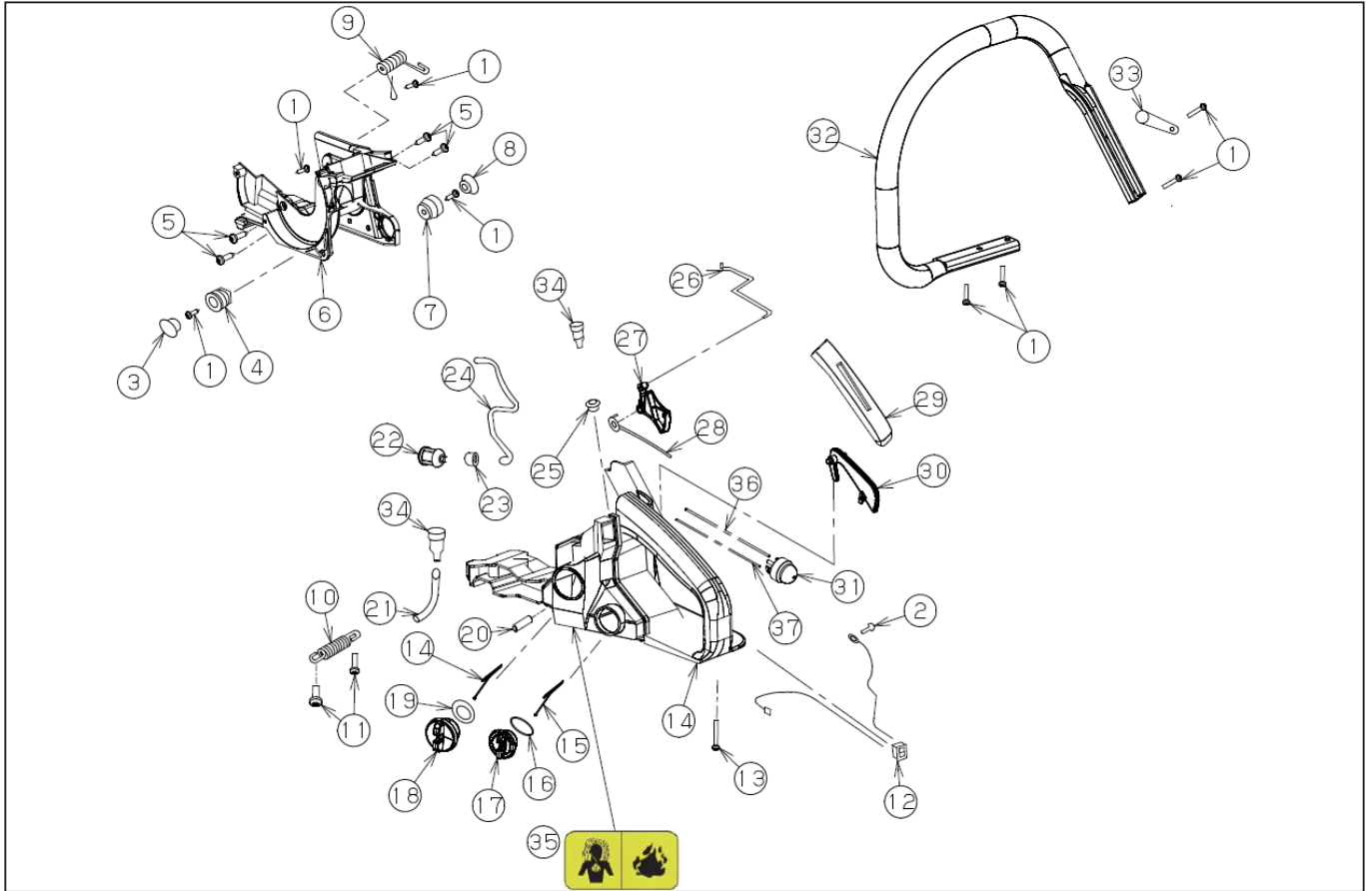
◆ Bare engine can not be supplied



DWG No.076851401 MODEL : ECS-41 FORM : ECS-41-BAA-0

No.	PARTS CODE	PARTS NAME	QTY	MATERIAL/SIZE	REMARKS
1	100339101	TAPPING SCREW NST5*16	8	NST5 × 16	
2	100344001	SCREW ASSEMBLY M4*12	1	M4 × 12	
3	100344301	CAP 2	1		
4	100344401	RUBBER PLUG FITTING	1		
5	100344501	SCREW ASSEMBLY1 M5*16	4	M5 × 16	
6	100344601	CRANKCASE BRACKET	1		
7	100344701	RUBBER PLUG 1	1		
8	100344801	CAP 1	1		
9	100344901	SPRING1	1		
10	100345001	SPRING2	1		
11	100345101	SCREW ASSEMBLY2 M5*16	2	M5 × 16	
12	100345201	STOP SWITCH	1		
13	100345301	TAPPING SCREW NST5*35	1	NST5 × 35	
14	100345401	FRAME	1		
15	100345501	TRIP GUARD	2		
16	100345601	OIL TANK CAP GASKET	1		
17	100345701	OIL TANK CAP	1		
18	100345801	FUEL TANK CAP	1		
19	100345901	FUEL TANK CAP GASKET	1		
20	100346001	OIL HANDLE PIN	1		
21	100346101	FUEL TANK VENT HOSE	1		
22	100346201	FUEL FILTER	1		
23	100346301	HOSE CLIP	1		
24	100346401	FUEL HOSE	1	220MM	
25	100346701	TANK GASKET	1		
26	100346801	THROTTLE ARM	1		
27	100346901	THROTTLE	1		
28	100347001	THROTTLE SPRING	1		
29	100347101	GRIP	1		
30	100347201	LOCK RELEASE LEVER	1		

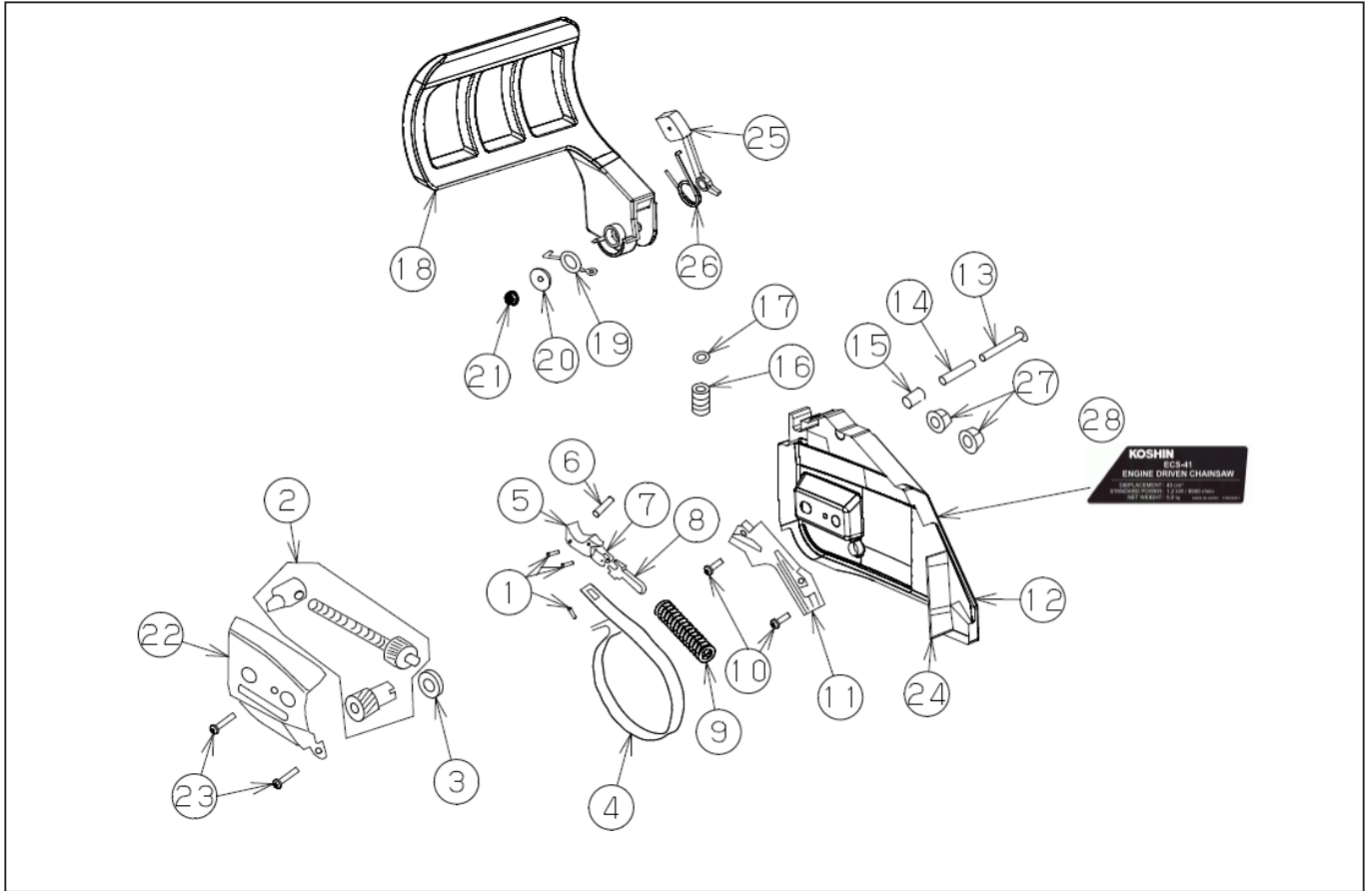
◆ Bare engine can not be supplied



DWG No.076851401 MODEL : ECS-41 FORM : ECS-41-BAA-0

No.	PARTS CODE	PARTS NAME	QTY	MATERIAL/SIZE	REMARKS
31	100025101	KC26 PRIMER PUMP ASSY	1		
32	100347401	SIDE HANDLE	1		
33	100347501	TORSION SPRING PLATE	1		
34	100348901	AIR FILTER ASSEMBLY	2		
35	100349401	LABEL2	1		
36	100352101	FUEL HOSE2	1	60MM	
37	100352201	FUEL HOSE2	1	140MM	

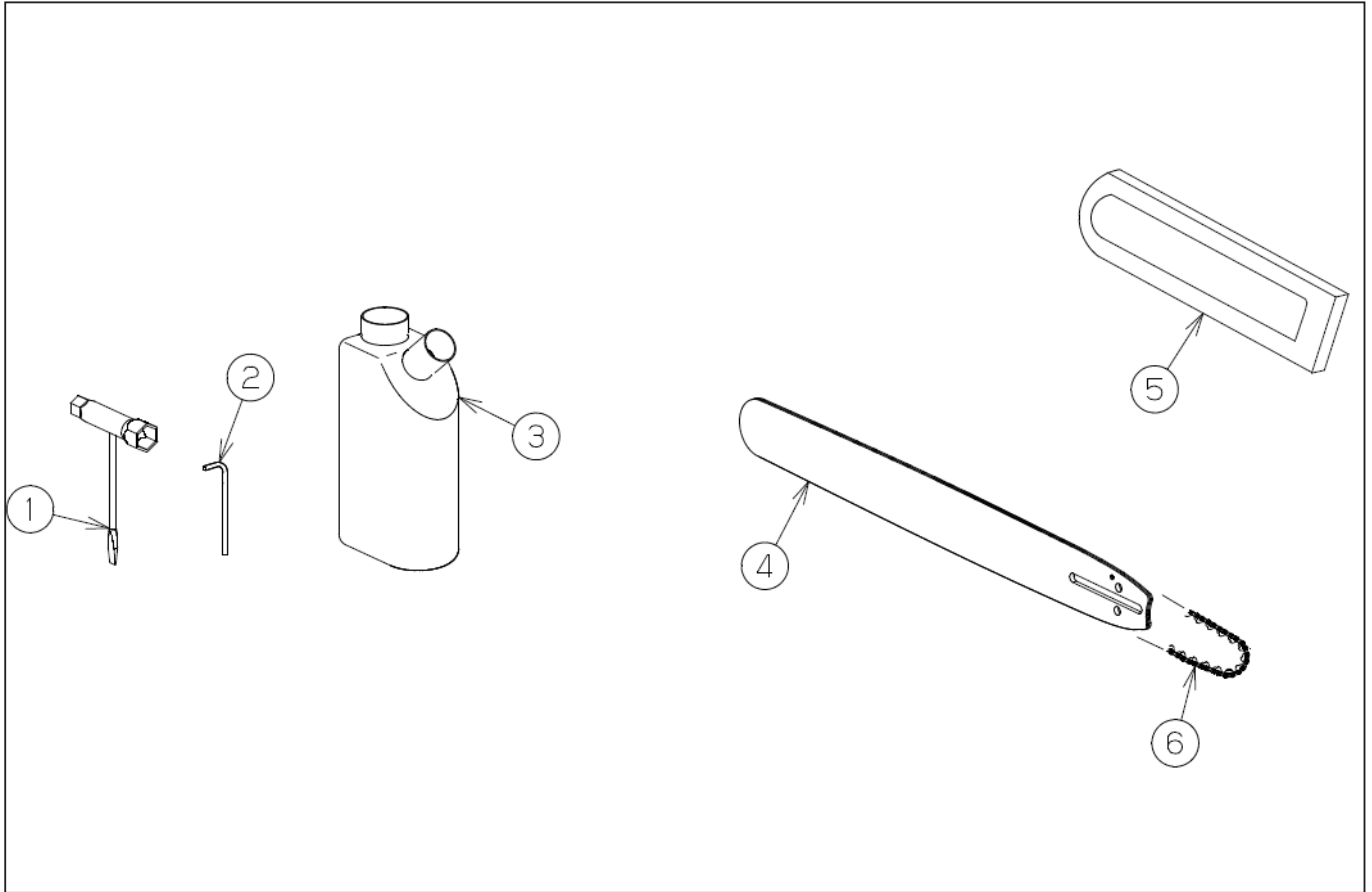
◆ Bare engine can not be supplied



DWG No.076851401 MODEL : ECS-41 FORM : ECS-41-BAA-0

No.	PARTS CODE	PARTS NAME	QTY	MATERIAL/SIZE	REMARKS
1	100342301	PIN 3*8	3	3 × 8	
2	100349801	CHAIN ADJUSTER ASSEMBLY	1		
3	100349901	WORM RETAINING RING	1		
4	100350001	BRAKE PAD	1		
5	100350101	PUSH LEVER 1	1		
6	100350201	PIN 3*14	1	3 × 14	
7	100350301	PUSH LEVER 2	1		
8	100350401	PUSH ROD	1		
9	100351801	SPRING1	1		
10	100338301	TAPPING SCREW ST4.2*12	2	ST4.2 × 12	
11	100350501	SPRING GUARD	1		
12	100350601	BRAKE COVER	1		
13	100338601	SCREW ASSEMBLY M5*40	1	M5 × 40	
14	100350801	SLEEVE	1		
15	100350901	BUSHING	1		
16	100351001	SPRING2	1		
17	100351101	GASKET	1		
18	100351201	HAND GUARD	1		
19	100351301	HAND GUARD SPRING	1		
20	100351401	WASHER	1		
21	100338701	LOCK NUT	1		
22	100351601	CHAIN GUARD	1		
23	100351701	TAPPING SCREW	2		
24	100338401	RUBBER BAFFLE	1		
25	100352401	ROCKER ARM	1		
26	100352501	ROCKER ARM SPRING	1		
27	100328001	FLANGE NUT	2	M8	
28	076029001	LABEL	1		

◆ Bare engine can not be supplied



DWG No.076851401 MODEL : ECS-41 FORM : ECS-41-BAA-0

No.	PARTS CODE	PARTS NAME	QTY	MATERIAL/SIZE	REMARKS
1	100328101	PLUG WRENCH	1		
2	100328201	HEX WRENCH	1		
3	100328301	FUEL MIXING TANK	1		
4	076029701	ECS-41 GUIDE PLATE	1		
5	076029601	ECS-41 CHAIN COVER	1		
6	076029801	ECS-41 CHAIN (OREGON)	1		

◆ Bare engine can not be supplied