



# HEAVY DUTY

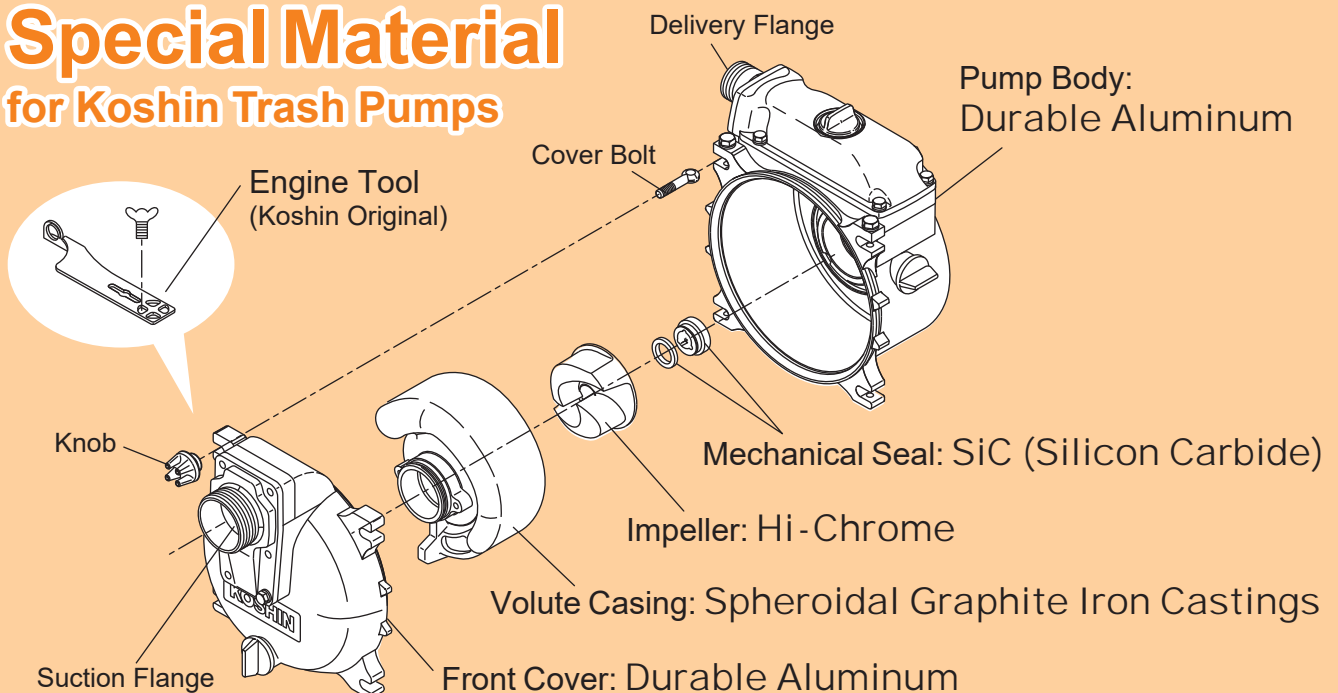
## Koshin Trash Pumps

- **Reasonable price**  
About 30% less price compared to same quality trash pumps.  
The most affordable price ever.
- **Excellent Quality**  
Provides powerful performance and long durability with New KOSHIN engine and enhanced pump.
- **Easy maintenance**  
Thoughtful flame for easy replacement of carburetor.  
You can clear inside of pump by simply removing pump casing with only one tool.

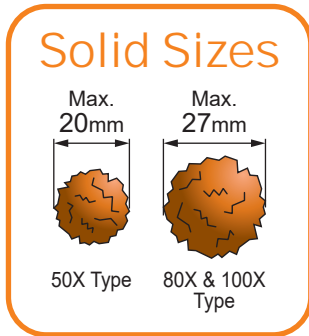
### Easy & Quick Maintenance



## Special Material for Koshin Trash Pumps

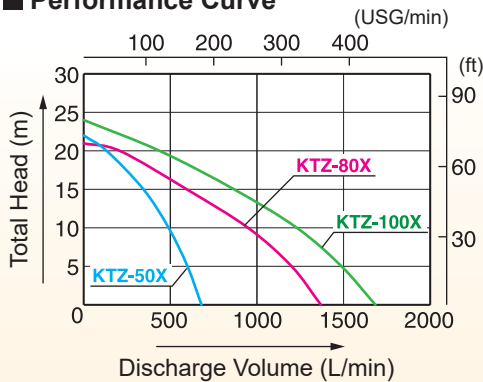


# Heavy Duty Trash Pumps



KTZ-80X

## Performance Curve



KTZ-100X

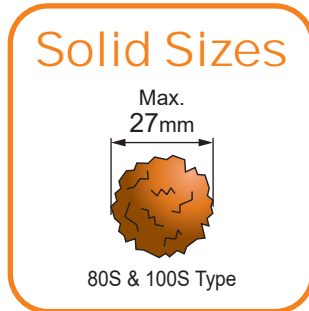
## Specification

Model	KTZ-50X	KTZ-80X	KTZ-100X	
PUMP	Connection Dia	50 mm(2")	80 mm(3")	100 mm(4")
	Connection Thread	Outer Pipe Thread BSP or NPT		
	Total Head	22 m (72 ft)	21 m (68 ft)	24 m (78 ft)
	Discharge Volume	680 L/min (179 USG/min)	1370 L/min (361 USG/min)	1680 L/min (443 USG/min)
	Max.Suction Lift	8 m (26 ft)		
	Material for Mechanical Seal	SiC (Silicon Carbide) × SiC		
	Material for Impeller	Hi-Chrome		
Material for Volute	FCD 450			
ENGINE	Type	Forced Air-Cooled 4-stroke Gasoline Engine		
	Model	Koshin K180	Koshin K300	Koshin K420
	Displacement	179 cc	301 cc	420 cc
	Rated Output	3.1 kW (4.2PS) / 3600 rpm	5.0 kW (6.8 PS) / 3600 rpm	7.2 kW (9.8 PS) / 3600 rpm
	Max. Output	3.5 kW (4.8PS) / 3600 rpm	6.0 kW (8.2 PS) / 3600 rpm	8.6 kW (11.7 PS) / 3600 rpm
	Fuel	Automotive Unleaded Gasoline		
	Fuel Tank Capacity	3.6 L (0.95 USG)	5.9 L (1.5 USG)	5.9 L (1.5 USG)
	Continuous Operating Time	Approx. 2.0 hrs		Approx. 1.5 hrs
	Starting Method	Recoil Starter		
	Standard Accessories	1 Strainer, 3 Hose Bands, 1 Engine Tool Set, 1 Multi Tool Wrench (BSP Type: 2 Hose Couplings)		
Net Weight	48.1 kg (106.0 lbs)	61.6 kg (135.8 lbs)	78.2 kg (172.4 lbs)	
Gross Weight	54 kg (119 lbs)	68.4 kg (150.8 lbs)	88.0 kg (194.0 lbs)	
Dimensions L×W×H (mm)	703 × 579 × 542	726 × 579 × 603	816 × 621 × 632	
Packing Unit	1			

# New Design with Easy Maintenance

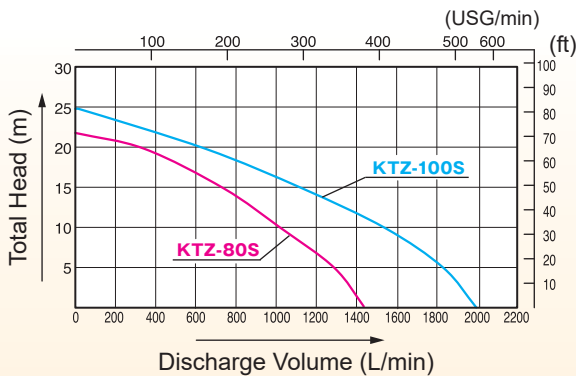
## Powered by KOSHIN K300 & K420

- The front cover can be removed easily without removing hoses
- Handles on the front cover can be installed in vertical or horizontal position
- Easy removal of knobs
- New Impeller design with hexagon boss for easy installation and removal



KTZ-80S

## Performance Curve



KTZ-100S

## Specification

Model	KTZ-80S	KTZ-100S	
PUMP	Connection Dia	80 mm(3")	100 mm(4")
	Connection Thread	Outer Pipe Thread BSP or NPT	
	Total Head	22 m (72 ft)	25 m (82 ft)
	Discharge Volume	1420 L/min (375 USG/min)	1980 L/min (523 USG/min)
	Max.Suction Lift	8m (26 ft)	
	Material for Mechanical Seal	Sic (Silicon Carbide) × Sic	
	Material for Impeller	Hi-Chrome	
Material for Volute	FCD450		
ENGINE	Type	Forced Air-Cooled 4-stroke Gasoline Engine	
	Model	Koshin K300	Koshin K420
	Displacement	301cc	420cc
	Rated Output	5.0 kW (6.8 PS) / 3600 rpm	7.2 kW (9.8 PS) / 3600 rpm
	Max. Output	6.0 kW (8.2 PS) / 3600 rpm	8.6 kW (11.7 PS) / 3600 rpm
	Fuel	Automotive Unleaded Gasoline	
	Fuel Tank Capacity	5.9L (1.5 USG)	
	Continuous Operating Time	Approx. 2 hrs	Approx. 1.5 hrs
	Starting Method	Recoil Starter	
	Standard Accessories	1 Strainer, 3 Hose Bands, 1 Engine Tool Set, 1 Multi Tool wrench (BSP Type: 2 Hose Couplings)	
Net Weight	65.3 kg (144.0 lbs)	81.2 kg (179.0 lbs)	
Gross Weight	72.6 kg (160.1 lbs)	90.5 kg (199.5 lbs)	
Dimensions L×W×H(mm)	729 × 589 × 602	800 × 621 × 624	
Packing Unit	1		