

## 7 SPECIFICATIONS

Model		SEV-40F
Pump	Connection Dia	40 mm (1.5")
	Connection Thread	Outer Pipe Thread
	Total Head	26 m (85 ft)
	Delivery Volume	260 L/min (68 USG/min)
	Max. Suction Head	8 m (26 ft)
Engine	Model	Forced Aircooled 4-stroke Gasoline Engine K100
	Exhaust Volume	98 cc
	Rated Out Put	1.6 kW (2.1 PS) / 3600rpm
	Fuel	Automotive Unleaded Gasoline
	Fuel Tank Capacity	2 L
	Starting Method	Recoil Starter
	Standard Accessories	1 Strainer, 2 Hose Couplings, 3 Hose Band 1 Engine Tool Set
Net Weight	18 Kg	

For the purpose of improvement, specifications are subject to changes without notice.

## 7 SPÉCIFICATIONS

Model		SEV-40F
POMPE	Connection Dia	40 mm (1.5")
	Connection Thread	Outer Pipe Thread
	Chute Total	26 m (85 ft)
	Débit Maximum	260 L/min (68 USG/min)
	Max. Suction Head	8 m (26 ft)
MOTEUR	Modèle	Refroidissement de l'air forcé 4 moteur de l'essence du coup K100
	Cylindrée	98 cc
	Nominale	1.6 kW (2.1 PS) / 3600rpm
	Caburant	Essence Ordinaire
	Capacité du réservoir à essence	2 L
	Starting System	Lanceur à Retour
	Standard Accessories	1 passoire, 2 Accouplements du Tuyau, 3 Bande du Tuyau 1 Ensemble de l'Outil du moteur
Poids	18 Kg	

En vue d'amélioration du produit, ces spécifications peuvent être modifiées sans préavis.

## 7 TECHNISCHE DATEN

Model		SEV-40F
PUMPE	Connection Dia	40 mm (1.5")
	Connection Thread	Outer Pipe Thread
	Gesamtdruckhöhe	26 m (85 ft)
	Maximale Fördermenge	260 L/min (68 USG/min)
	Max. Suction Head	8 m (26 ft)
MOTOR	Model	Gezwungener Aircooled 4-Schlag Benzin Motor K100
	Hubraum	98 cc
	Nennleistung	1.6kW (2.1 PS) / 3600rpm
	Kraftstoff	Normalbenzin
	Kraftstofftank-Fassungsvermögen	2 L
	Anlassersystem	Rückstoßanlasser
	Nivel de potencia acústica garantizado	1 Sieb, 2 Schlauchverbindungen, 3 Schlauchband 1 Motorwerkzeugsatz
Gewic ht	18 Kg	

Anderungen der technischen Daten zwecks Produktverbesserung ohne Vorankündigung vorbehalten.

## 7 SPECIFICATIONS

Model		SEV-40F
Pompa	Connection Dia	40 mm (1.5")
	Connection Thread	Outer Pipe Thread
	Altezza totale del getto	26 m (85 ft)
	Massima erogazione	260 L/min (68 USG/min)
	Max. Suction Head	8 m (26 ft)
Motore	Modello	Forzato motore di benzina di 4-colpo di Aircooled K100
	Cilindrate	98 cc
	Nominale	1.6kW (2.1 PS) / 3600rpm
	Carburant	Benzina normale per auto
	Capacité du réservoir à essence	2 L
	Sistema d'avviamento	Starter a riavvolgimento
	Standard Accessories	1 filtro, 2 Accoppiamenti di Tubo di gomma, 3 Nastro di Tubo di gomma 1 Set dell'Attrezzo del motore
Peso	18 Kg	

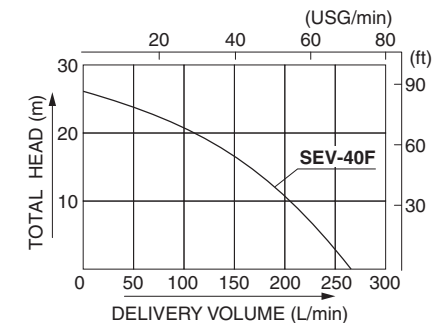
Al fine di migliorare il prodotto, le specificazioni sono soggette a modifiche senza preavviso.

## 7 ESPECIFICACIONES

Model		SEV-40F
Bomba	Connection Dia	40 mm (1.5")
	Connection Thread	Outer Pipe Thread
	Altura de elevación total	26 m (85 ft)
	Volumen máximo de descarga	260 L/min (68 USG/min)
	Max. Suction Head	8 m (26 ft)
Motor	Modelo	Aircooled 4 aprobejía motor de gasolina forzoso K100
	Desplazamiento del cilindro	98 cc
	Nominale	1.6kW (2.1 PS) / 3600rpm
	Combustible	Gasolina para automóvil
	Capacidad del depósito de combustible	2 L
	Sistema de arranque	Arrancador de retroceso
	Standard Accessories	1 colador, 2 apareamientos de manguera, 3 cinta de manguera 1 juego de herramientas de motor
Peso	18 Kg	

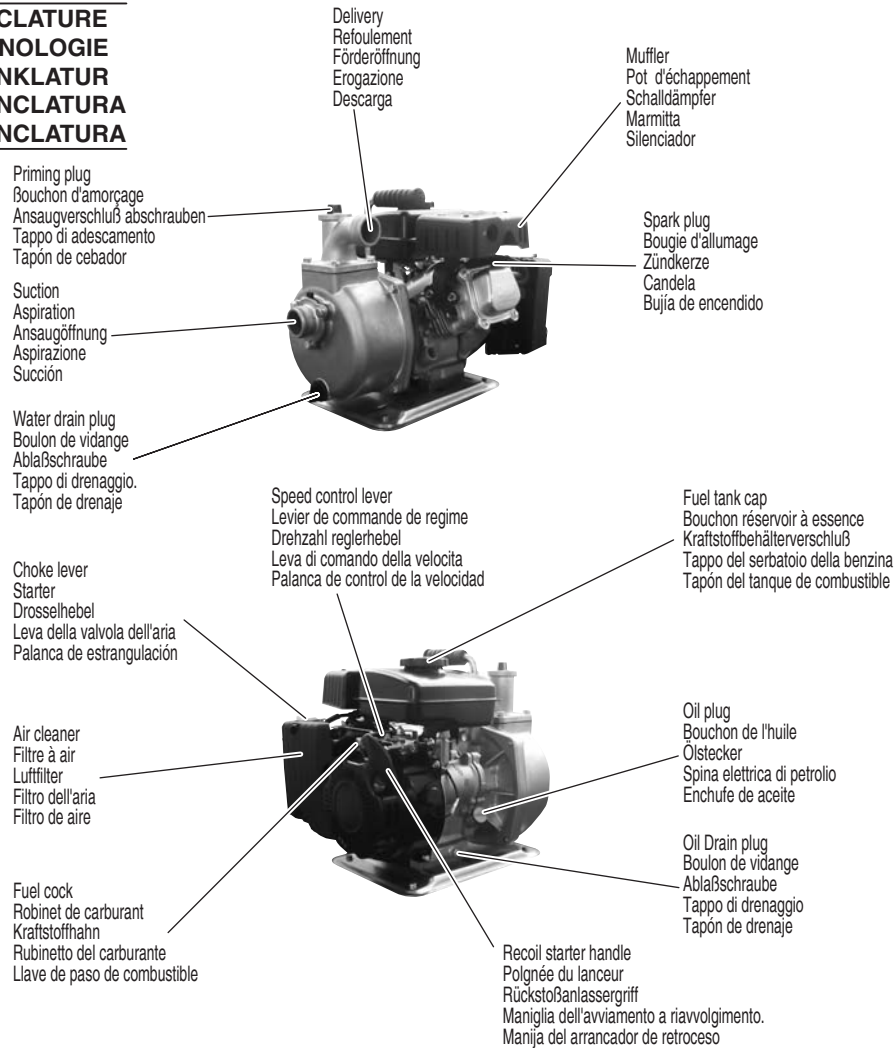
Con el objeto de una mejore del producto, las especificaciones están sujetas a cambios sin previo aviso.

## PERFORMANCE CURVE CARACTERISTIQUE DE PERFORMANCE LEISTUNGSKURVE CURVA DI POTENZA CURVA DE FUNCIONAMIENTO

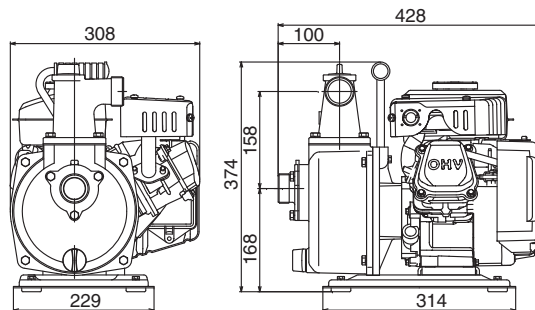


Note: Performance ratings are guaranteed minimum, not inflated maximum.

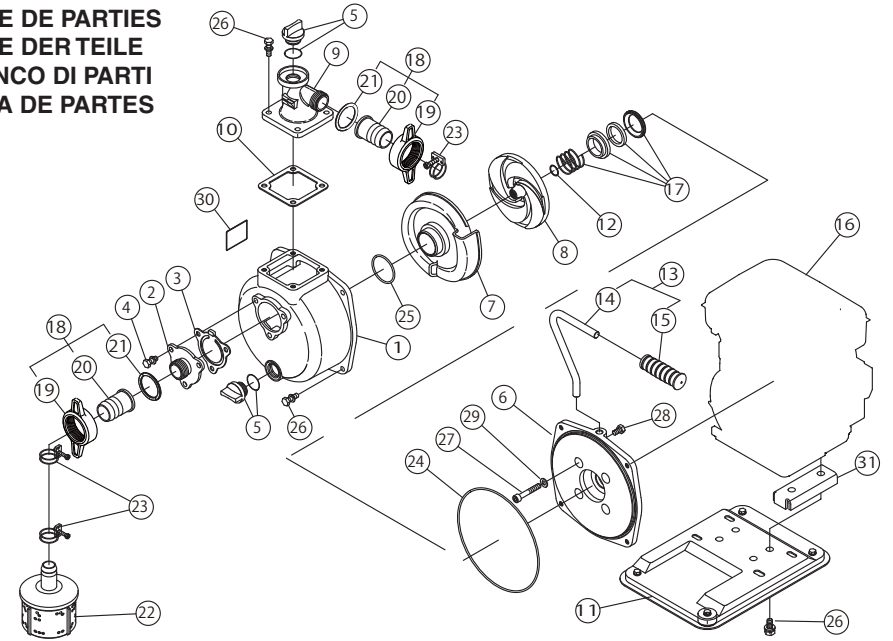
**OMENCLATURE  
TERMINOLOGIE  
NOMENKLATUR  
NOMENCLATURA  
NOMENCLATURA**



**OUTLINE DRAWING  
DESSIN AU TRAIT  
UMRISSZEICHNUNG ZEICHNUNG  
FIGURA DI FORMA ESTERNA  
FIGURA DE DIMENSION EXTERNA**



**PARTS LIST  
LISTE DE PARTIES  
LISTE DER TEILE  
ELENCO DI PARTI  
LISTA DE PARTES**



**SEV-40F**

No.	PARTS CODE	PARTS NAME	QTY
1	0121905	PUMP CASE	1
2	0113327	SUCTION FLANGE	1
3	0113328	CHECK VALVE	1
4	743119045	BOLT M8 x 20	3
5	0118078	20A PLUG SET	2
6	0110579	FLANGE BRACKET	1
7	0114220	VOLUTE CASING	1
8	0114305	IMPELLER	1
9	0110577	DELIVERY FLANGE	1
10	0110593	FLANGE PACKING	1
11	0127008	BASE SET	1
12	0110114	ADJUSTING WASHER	3
13	0118091	HANDLE SET	1
14	0112700	HANDLE	1
15	0110110	HANDLE RUBBER	1
16	—	ENGINE	1
17	0110673	MECHNNICAL SEAL $\phi$ 15	1
18	0117212	COUPLING SET	2
19	0114986	COUPLING	2
20	0110358	HOSE NIPPLE	2

No.	PARTS CODE	PARTS NAME	QTY
21	0114987	COUPLING PACKING	2
22	0118194	STRAINER SET	1
23	940019048	HOSE BAND	3
24	0115014	O-RING 1517-42.5	1
25	889855048	O-RING P48	1
26	743119047	BOLT M8 x 25	12
27	734532074	SOCKET BOLT M8 x 50	4
28	735719145	BOLT M8 x 14	1
29	854255008	SEAL WASHER	4
30	0122077	NAME PLATE	1
31	0122080	ENGINE BASE	2