

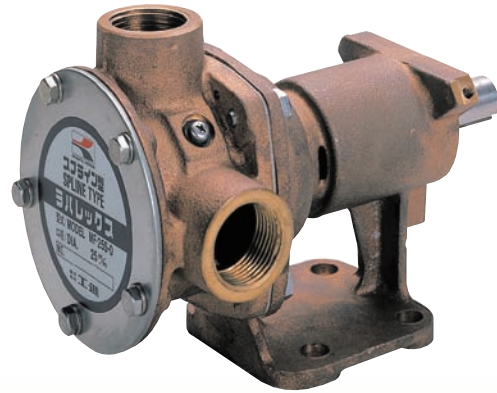
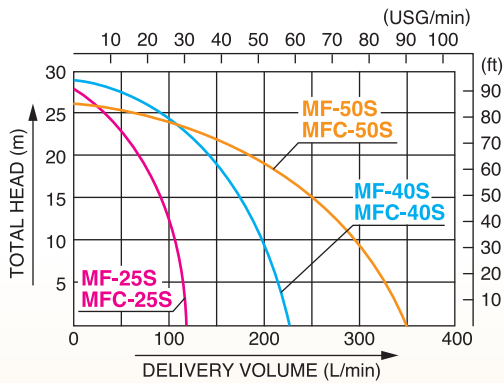
"REVOLVEX PUMPS"



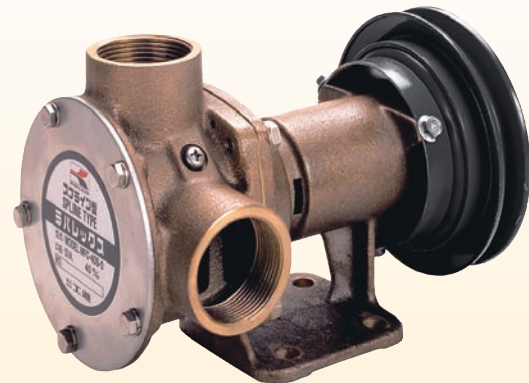
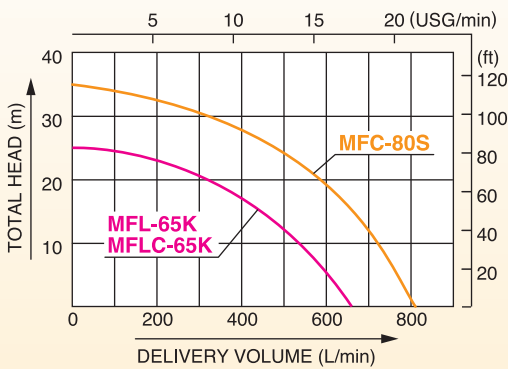
Flexible Rubber Impeller for Seawater

- Complete structure is manufactured from gunmetal, no rusting.
- START/STOP is easily controlled by pressing one switch. (MFC type)
- MFC type is fitted with electromagnetic clutch.
- Easy to replace rubber impeller.
- Self-priming.

■ Performance Curve



MF-25S



MFC-40S

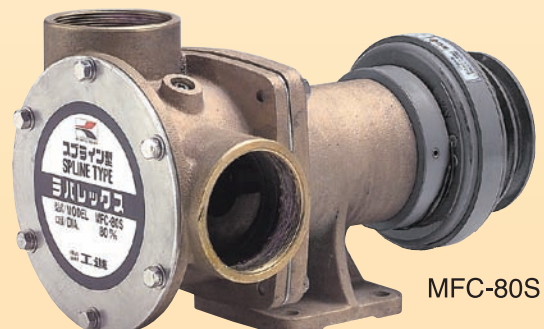
For Seaweed Model Pumping Up Seaweed at Once, And Transferring it without Damage



- Adopted special impeller to avoid damage by seaweed.
- Special sleeve to transfer seaweed smoothly.

■ Applications

- Transfer seaweed from small boat to mother ship
- Built in for the machinery for seaweed
- Discharge of bilge water, emergency water discharge
- Washing a deck or hold



MFC-80S

■ Specification

(*Products by order)

Model	MF-25S	MF-40S	MF-50S	MFC-80S*	MFLC-65K*	MFL-65K*
Connection Dia	25 mm (1")	40 mm (1½")	50 mm (2")	80 mm (3")	65 mm (2½")	
Connection Thread	Inner Pipe Thread					
Material	Bronze Castings (Gunmetal)					
Total Head	28 m (92 ft)	29 m (95 ft)	26 m (85 ft)	35 m (114 ft)	24 m (78 ft)	
Delivery Volume	115 L/min (30 USG/min)	215 L/min (56 USG/min)	350 L/min (92 USG/min)	820 L/min (216 USG/min)	650 L/min (171 USG/min)	
Output	1.5 kw (2.0 PS) / 1750 rpm		3.7 kw (5.0 PS) / 1750 rpm	7.5 kW (10.2 PS) / 1,750 rpm	5.5 kW (7.5 PS) / 1,750 rpm	
Number of Blades	9			13	6	
Driving Method	Belt Drive					
Revolution Direction	Anti-clockwise (Watching from Driving Shaft)					
Revolution	500 – 2300 rpm					
Shaft Dia	20 mm (¾")		25 mm (1")	Electromagnetic Clutch		25 mm (1")
Standard Accessory	Parallel Key					
Net Weight	4.7 kg (10.3 lbs)	5.7 kg (12.5 lbs)	8.7 kg (19.1 lbs)	—————	23.5 kg (51.8 lbs)	18.5 kg (40.7 lbs)
Gross Weight	—————		9.1 kg (21 lbs)	—————	25 kg (55 lbs)	20 kg (44 lbs)
Dimensions LxWxH (mm)	240 × 142 × 183	260 × 158 × 191	342 × 162 × 214	420 × 230 × 265	450 × 224 × 270	450 × 224 × 270
Packing Unit	1					

■ Electromagnetic Clutch Specifications

*In case power is supplied by general purpose engine, choose MFC series (with clutch). (Need power source for clutch.)

*12V Clutch is available as option

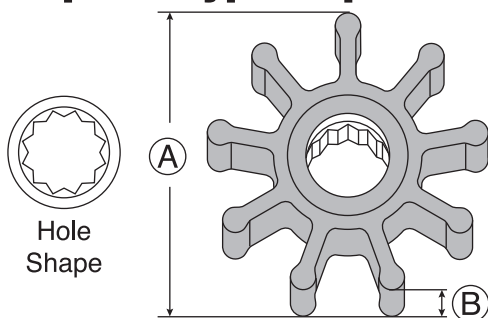
Model	MFC-25S	MFC-40S	MFC-50S
Pump	MF-25S	MF-40S	MF-50S
Voltage (Clutch)	DC 24 V		
Capacity (Clutch)	43 W		45 W
Pulley	φ 136.5 (B-1)		φ 130 (B-2)
Net Weight (Clutch)	7.6 kg (16.7 lbs)	8.8 kg (19.4 lbs)	15.9 kg (35.0 lbs)
Gross Weight	—————	9.5 kg (20.9 lbs)	18.3 kg (40.3 lbs)
Dimensions LxWxH (mm)	262 × 150 × 190	282 × 168 × 183	364 × 192 × 214
Packing Unit	1		

Model	MFC-80S MFLC-65K
Voltage	DC 24 V
Capacity	36 W
Pulley	φ 130

MF Series Impeller List

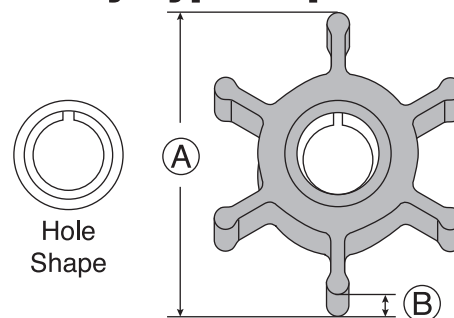
For "REVOLVEX PUMPS" & "RUBBER MASTER"

Spline Type Impeller



MF-25SRL (For MF-25S) (For Seawater)

Key Type Impeller



MFL-65KR (For MFL-65K, MFLC-65K) (For Seawater)

Model	MF-25S MFC-25S	MF-40S MFC-40S	MF-50S MFC-50S MFC-50SX	MFC-65K	MFL-65K MFLC-65K	MFC-80S	MF-40MS	MF-2524	MF-4024X	
Application	Seawater							Oil	Seawater	
Impeller Model	MF-25SRL	MF-40SRL	MF-50SRL	MF-65KR	MFL-65KR	MF-80SR	MF-40SRL	MF-2524KR	MF-2524KN	MF-4024KR
(A) Outside Dia	80 mm	94 mm		128.5 mm		143 mm	94 mm	65 mm		90 mm
(B) Thickness	54 mm	63 mm	95 mm	102 mm		105.4 mm	63 mm	41 mm		46 mm
Number of Blades	9			11	6	13	9	8		
Shape of Shaft	Spline			Key		Spline		Key		
Material	Chloroprene Rubber (Neoprene)							Nitrile Butyl Rubber	Chloroprene Rubber (Neoprene)	